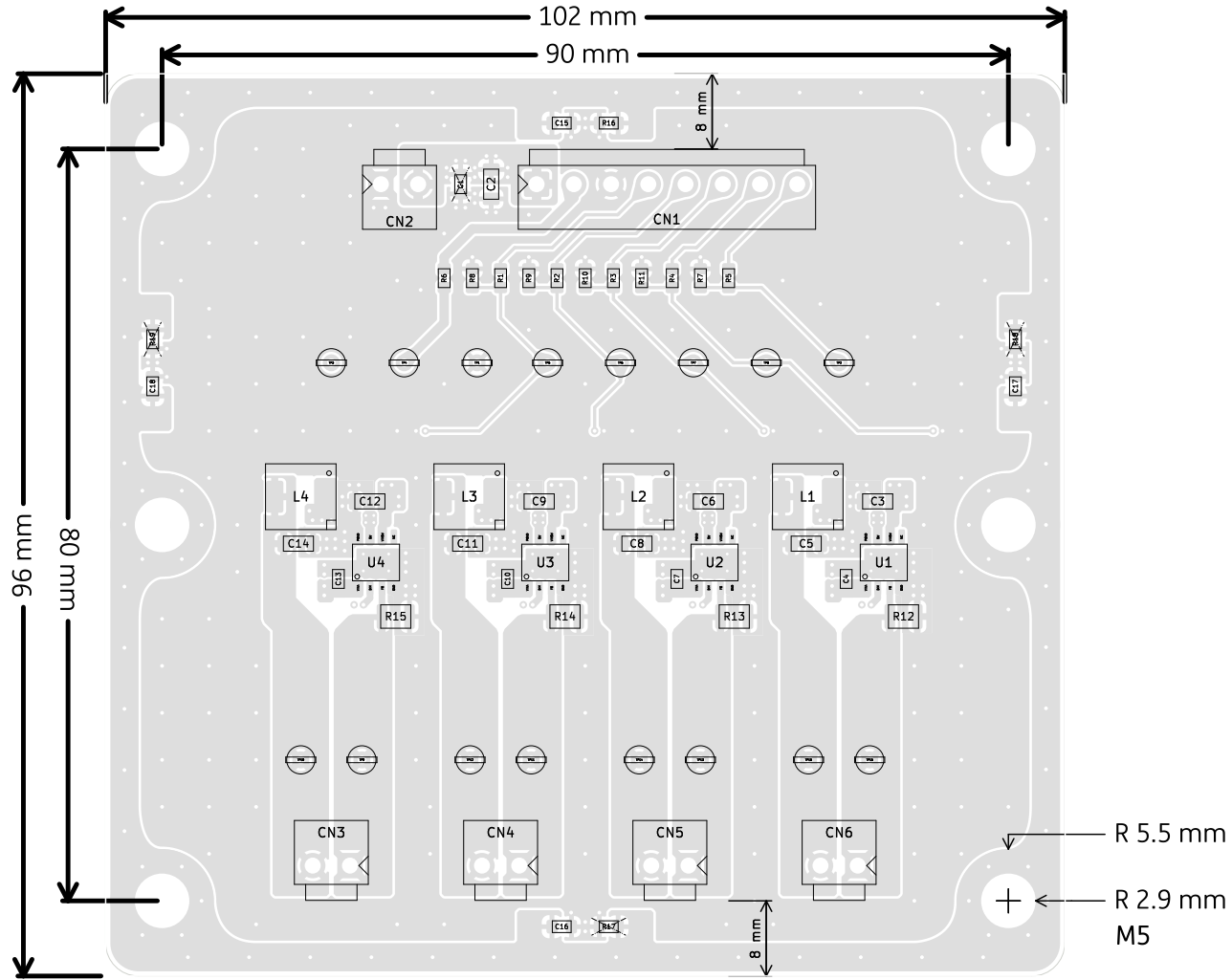
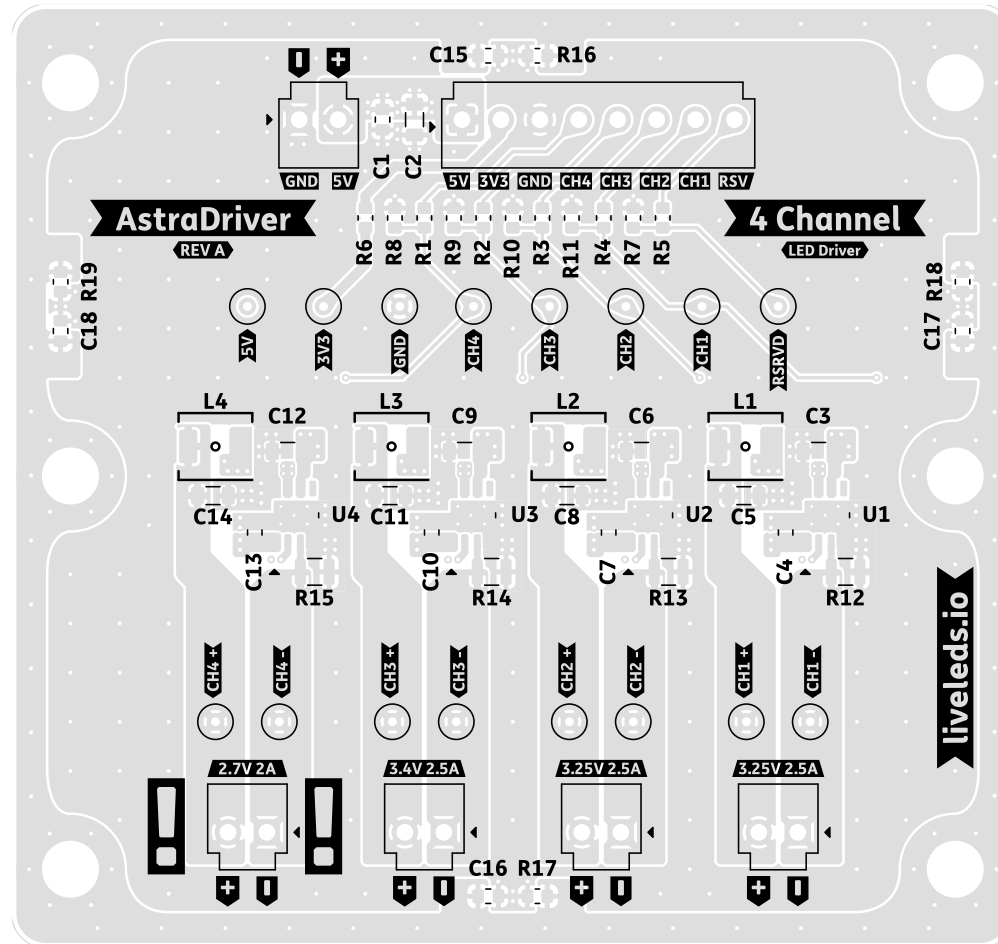


# Front Fabrication



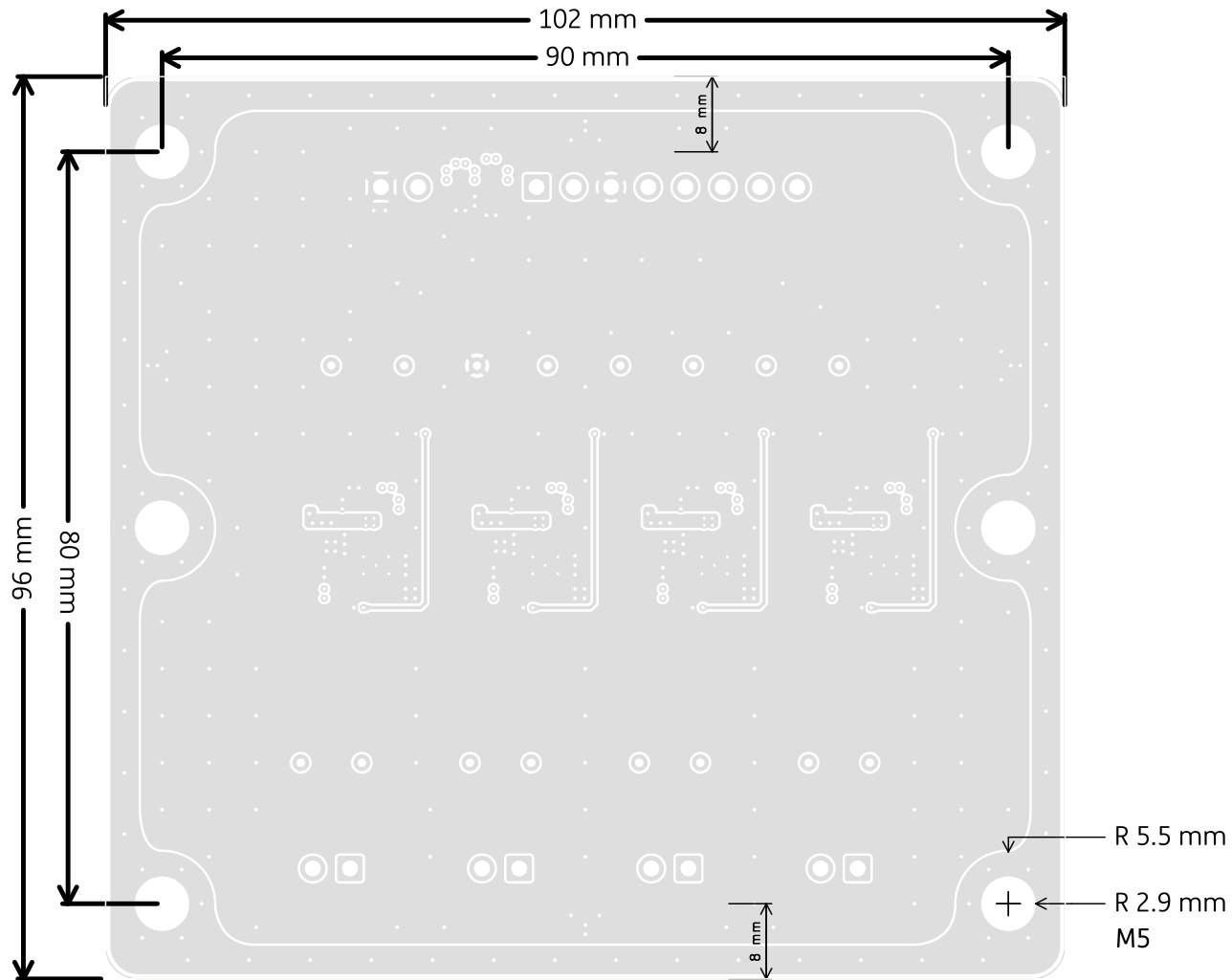
Board Name	Project Name	Company	Sheet Title & File Name	Date	Revision	Size
AstraDriver	AstraBeam	LiveAstra Technologies	Front Fabrication AstraDriver.kicad_pcb	2024-10-12	A	A4

# Front Silkscreen



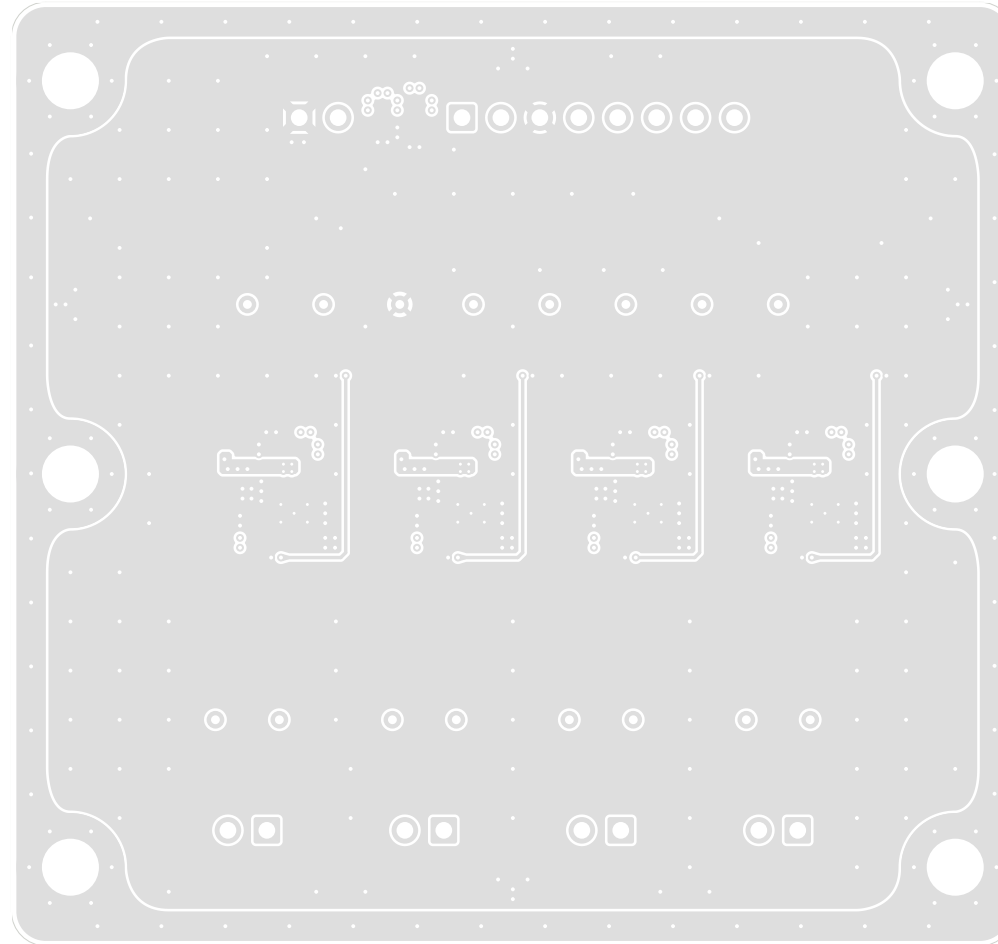
Board Name	Project Name	Company	Sheet Title & File Name	Date	Revision	Size
AstraDriver	AstraBeam	LiveAstra Technologies	Front Silkscreen AstraDriver.kicad_pcb	2024-10-12	A	A4

# Back Fabrication



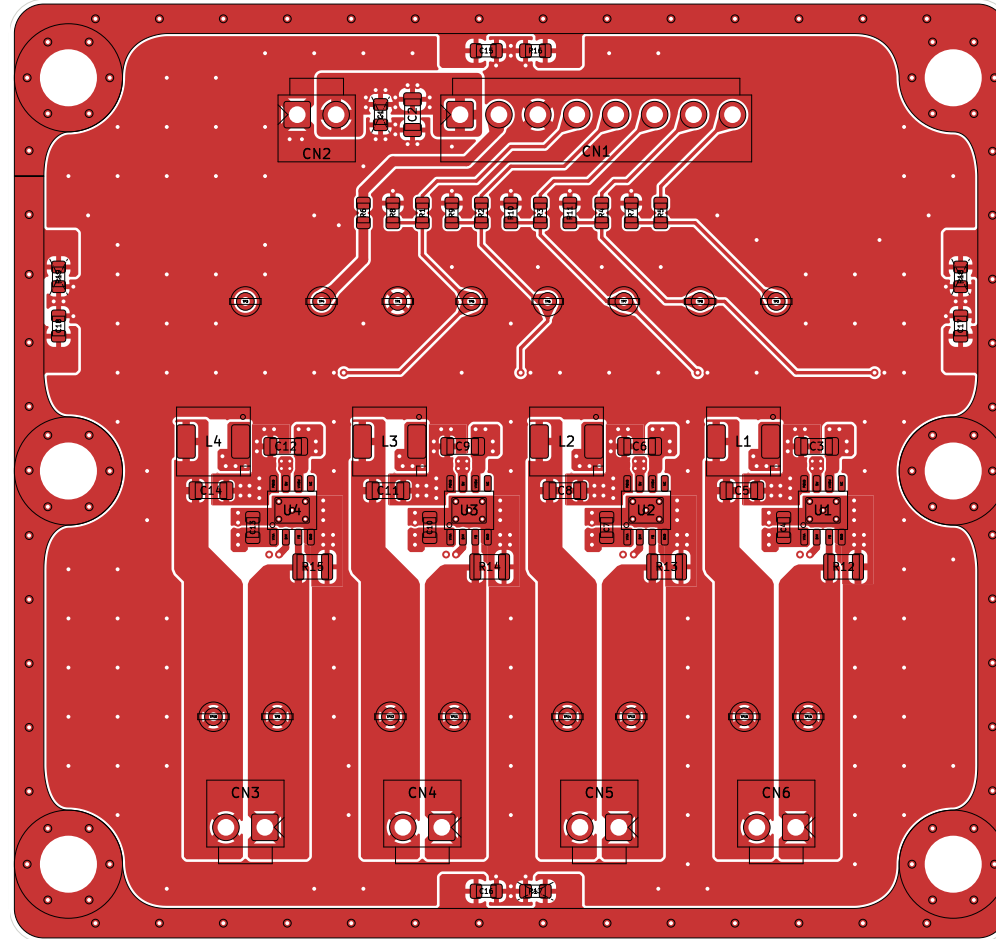
Board Name	Project Name	Company	Sheet Title & File Name	Date	Revision	Size
AstraDriver	AstraBeam	LiveAstra Technologies	Back Fabrication AstraDriver.kicad_pcb	2024-10-12	A	A4

# Back Silkscreen



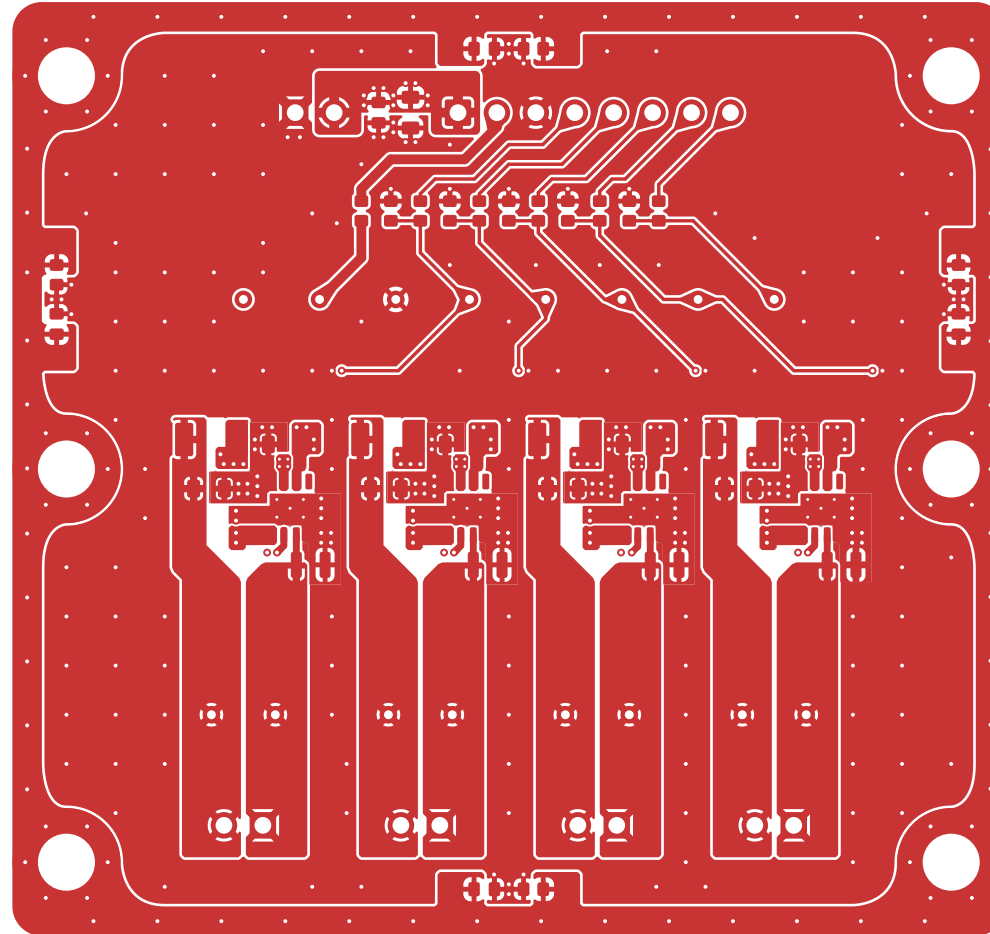
Board Name	Project Name	Company	Sheet Title & File Name	Date	Revision	Size
AstraDriver	<b>AstraBeam</b>	LiveAstra Technologies	Back Silkscreen AstraDriver.kicad_pcb	2024-10-12	A	A4

# L1 SIG / GND (FAB)



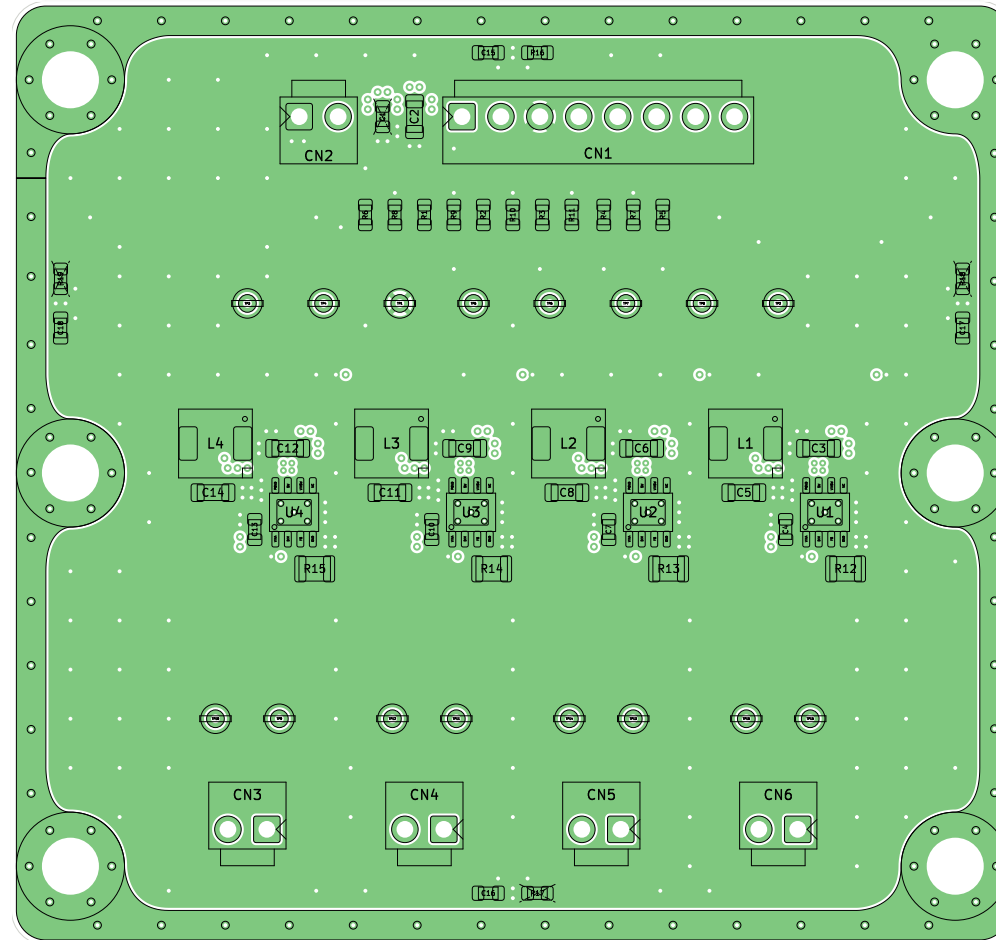
Board Name	Project Name	Company	Sheet Title & File Name	Date	Revision	Size
AstraDriver	AstraBeam	LiveAstra Technologies	L1 SIG / GND (FAB) AstraDriver.kicad_pcb	2024-10-12	A	A4

# L1 SIG / GND



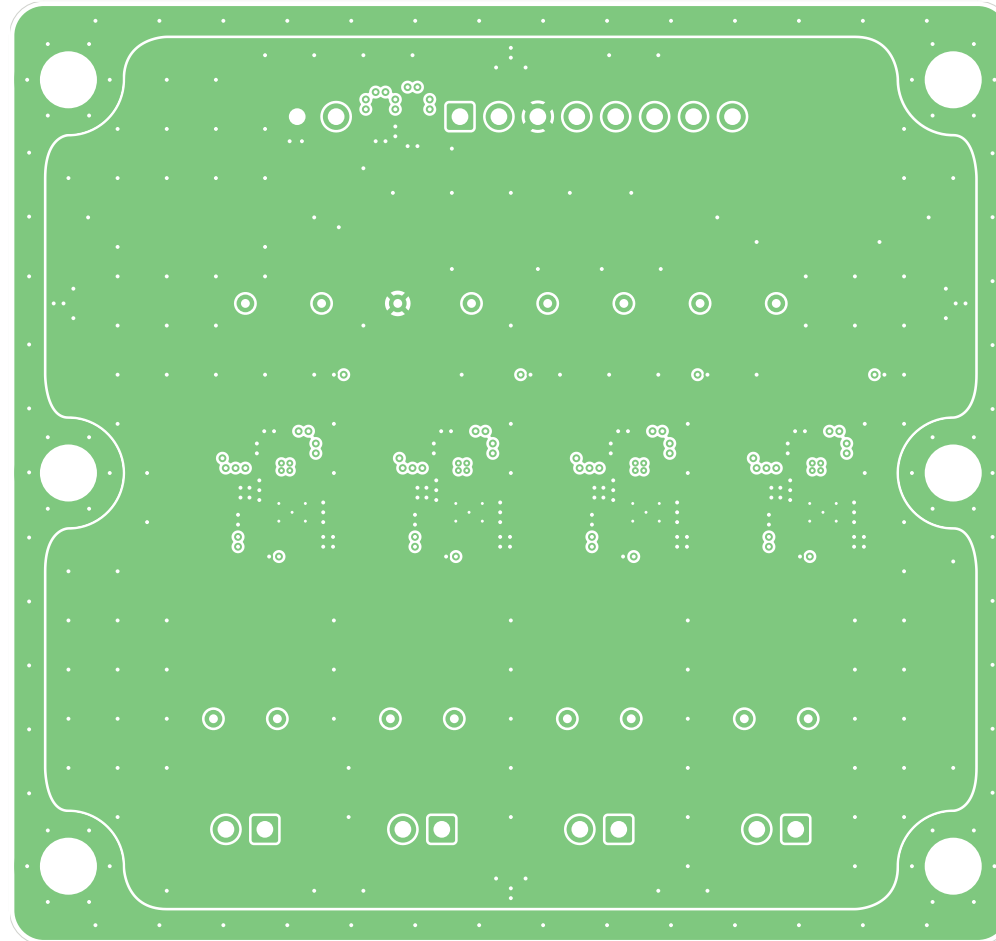
Board Name	Project Name	Company	Sheet Title & File Name	Date	Revision	Size
AstraDriver	<b>AstraBeam</b>	LiveAstra Technologies	L1 SIG / GND AstraDriver.kicad_pcb	2024-10-12	A	A4

# L2 GND (Front FAB)



Board Name	Project Name	Company	Sheet Title & File Name	Date	Revision	Size
AstraDriver	AstraBeam	LiveAstra Technologies	L2 GND (Front FAB) AstraDriver.kicad_pcb	2024-10-12	A	A4

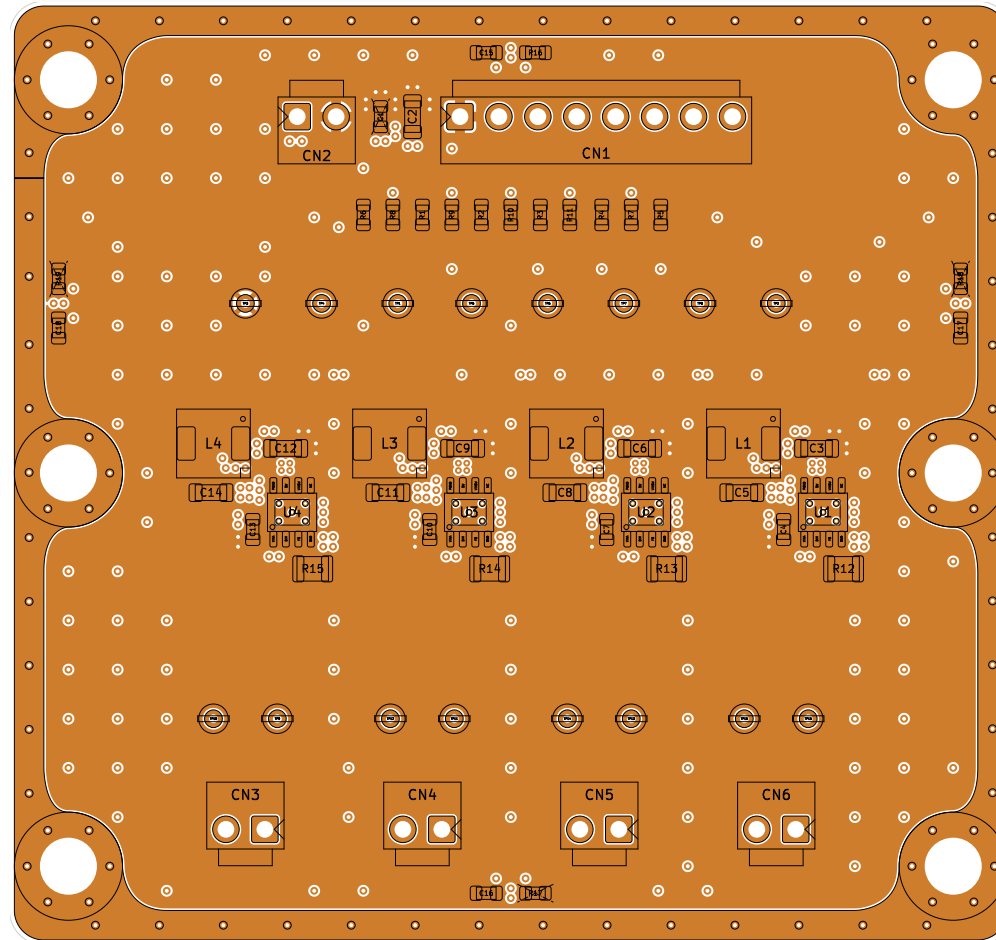
# L2 GND



Board Name	Project Name	Company	Sheet Title & File Name	Date	Revision	Size
AstraDriver	<b>AstraBeam</b>	LiveAstra Technologies	L2 GND AstraDriver.kicad_pcb	2024-10-12	A	A4

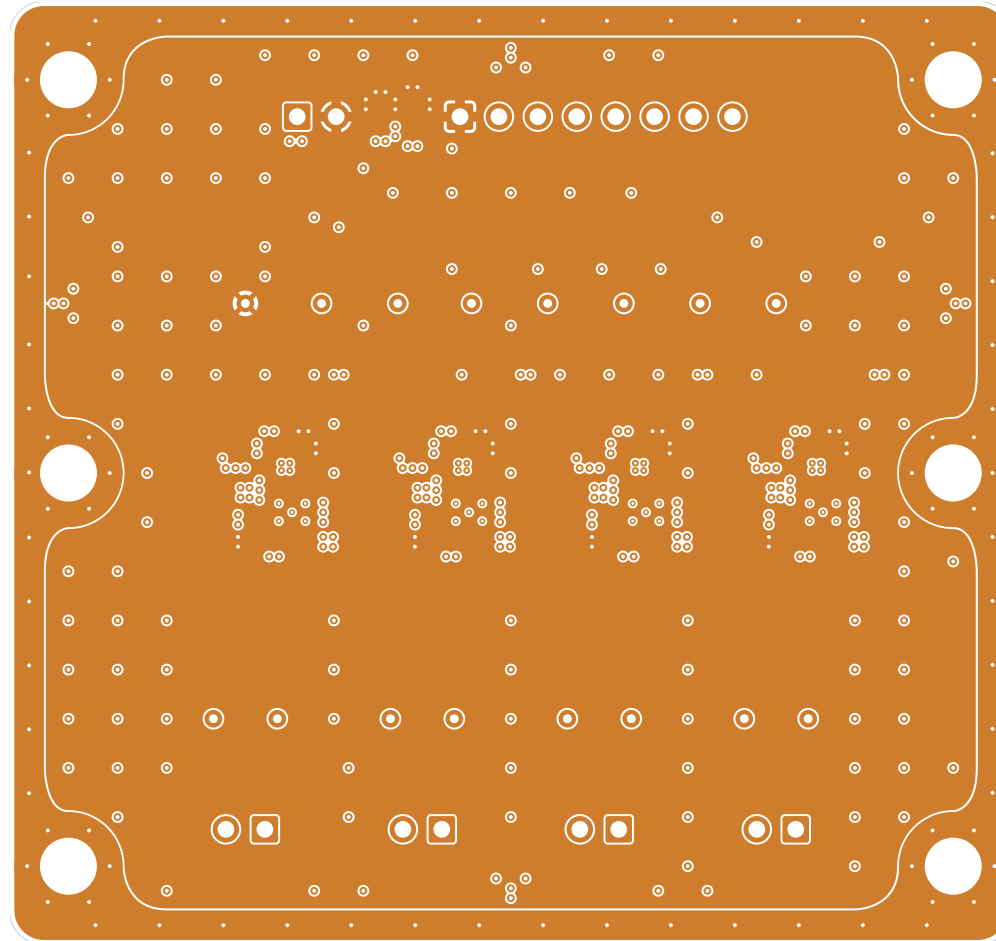


# L3 5V (Front FAB)



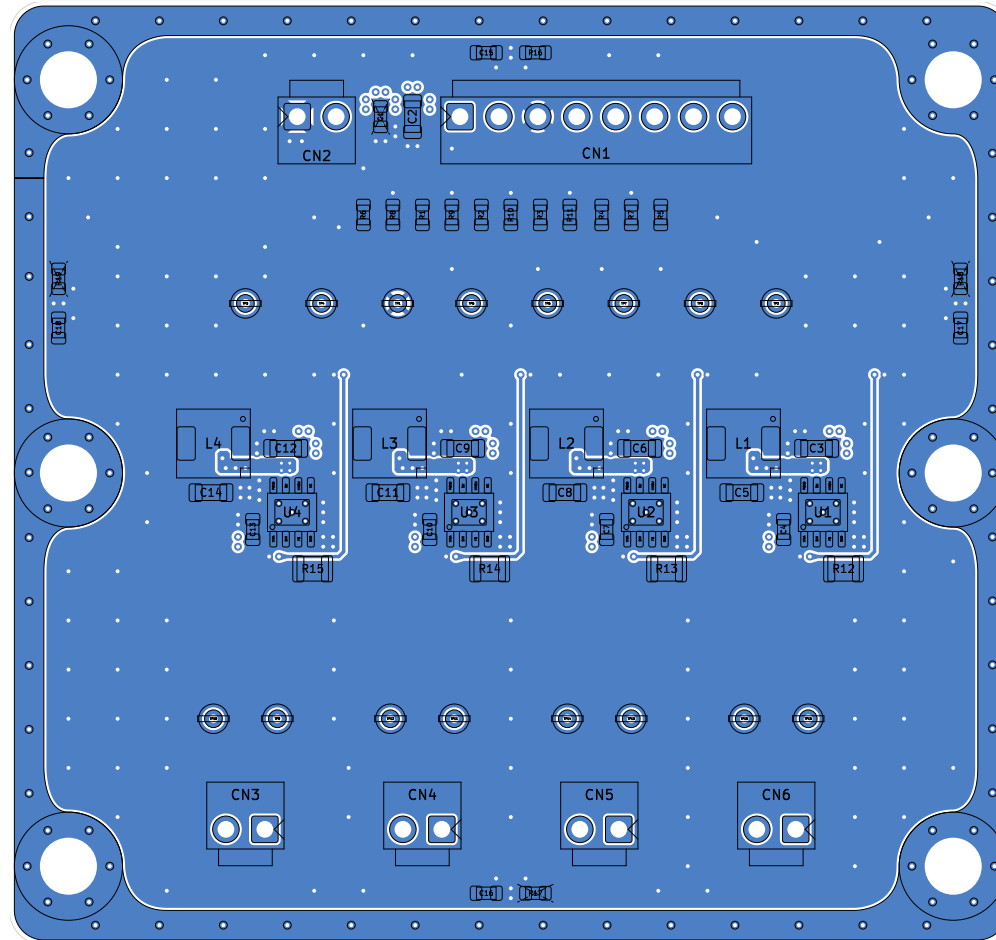
Board Name	Project Name	Company	Sheet Title & File Name	Date	Revision	Size
AstraDriver	AstraBeam	LiveAstra Technologies	L3 5V (Front FAB) AstraDriver.kicad_pcb	2024-10-12	A	A4

# L3 5V



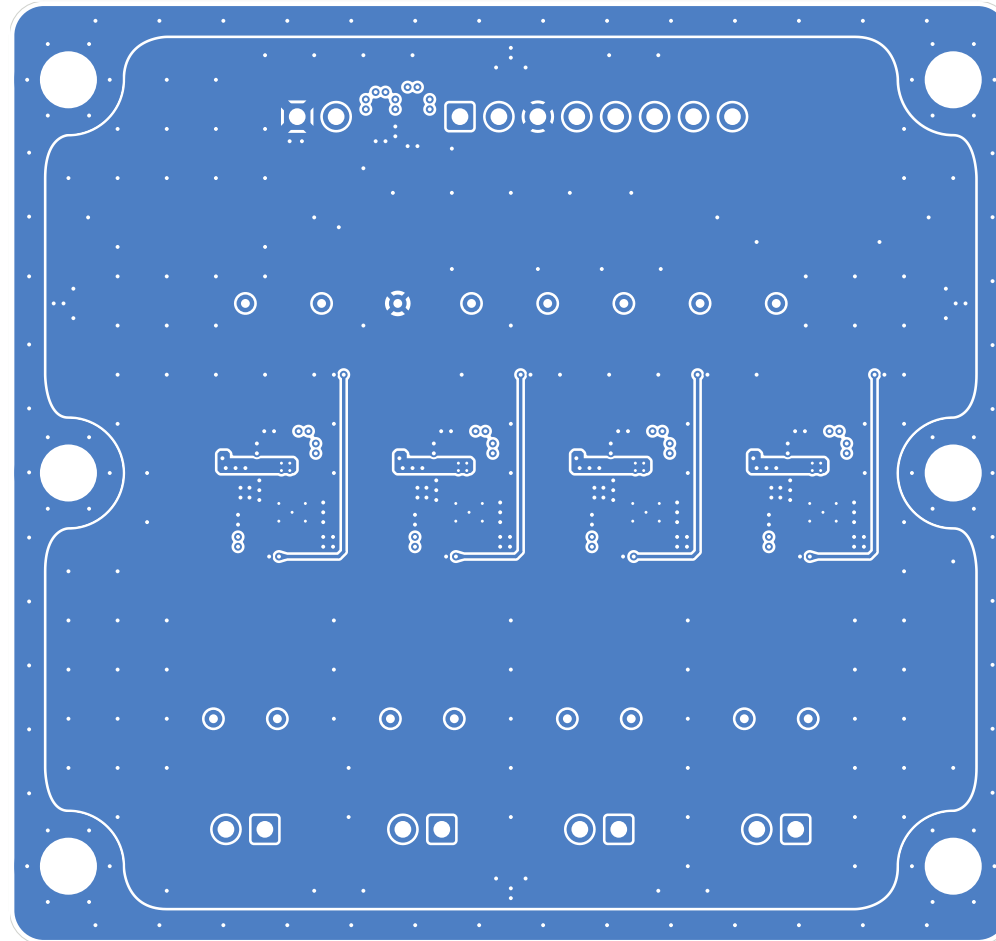
Board Name	Project Name	Company	Sheet Title & File Name	Date	Revision	Size
AstraDriver	AstraBeam	LiveAstra Technologies	L3 5V AstraDriver.kicad_pcb	2024-10-12	A	A4

# L4 SIG / GND (Front FAB)



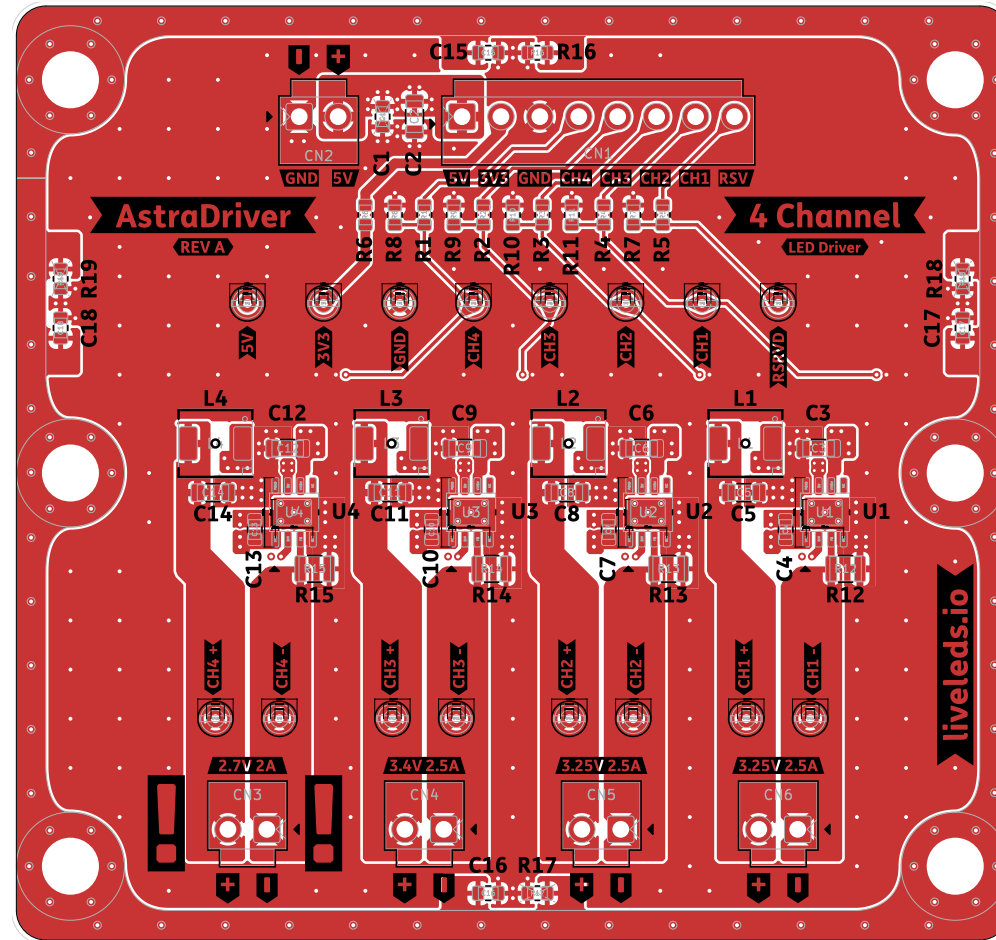
Board Name	Project Name	Company	Sheet Title & File Name	Date	Revision	Size
AstraDriver	AstraBeam	LiveAstra Technologies	L4 SIG / GND (Front FAB) AstraDriver.kicad_pcb	2024-10-12	A	A4

# L4 SIG / GND



Board Name	Project Name	Company	Sheet Title & File Name	Date	Revision	Size
AstraDriver	<b>AstraBeam</b>	LiveAstra Technologies	L4 SIG / GND AstraDriver.kicad_pcb	2024-10-12	A	A4

# L1 (Component Dimensions)



Board Name	Project Name	Company	Sheet Title & File Name	Date	Revision	Size
AstraDriver	AstraBeam	LiveAstra Technologies	L1 (Component Dimensions) AstraDriver.kicad_pcb	2024-10-12	A	A4