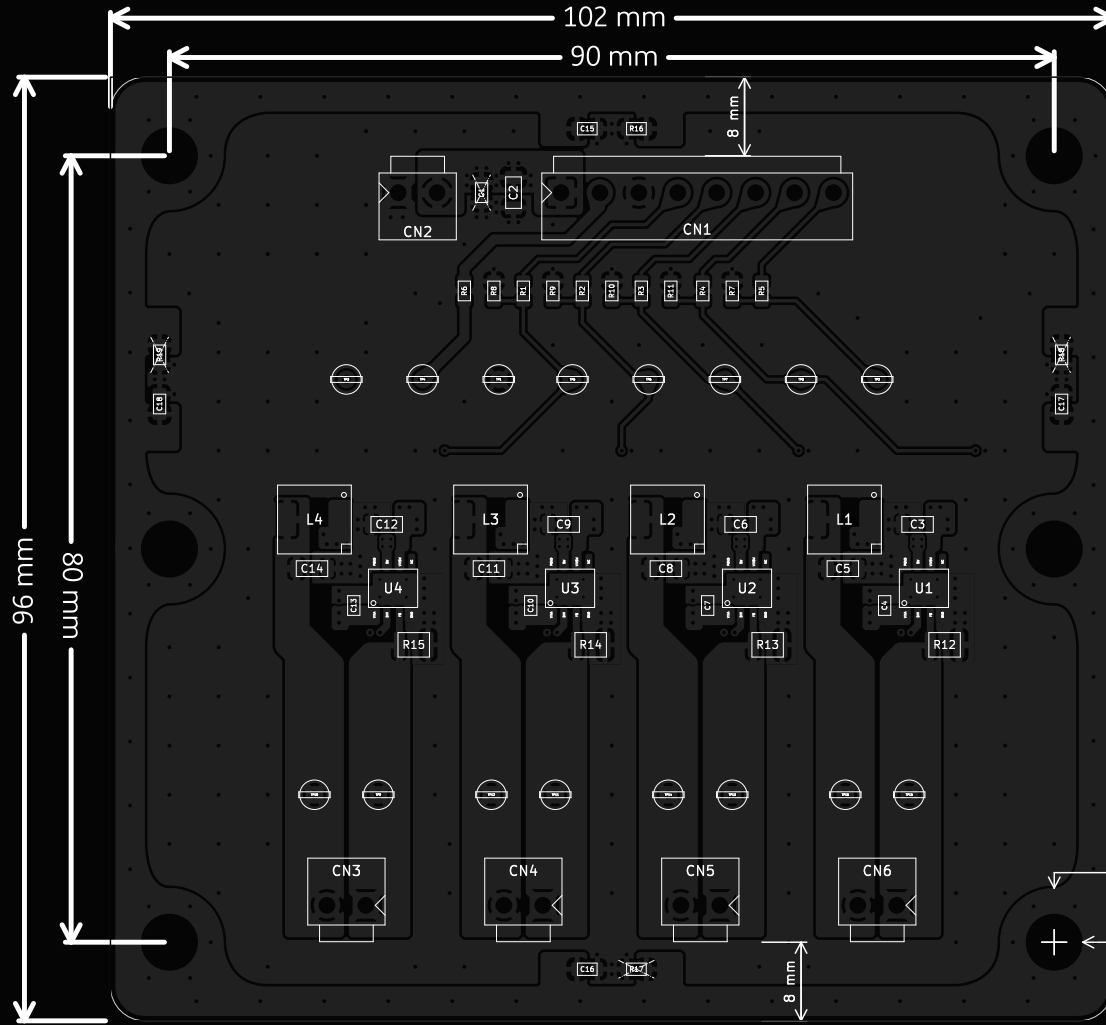


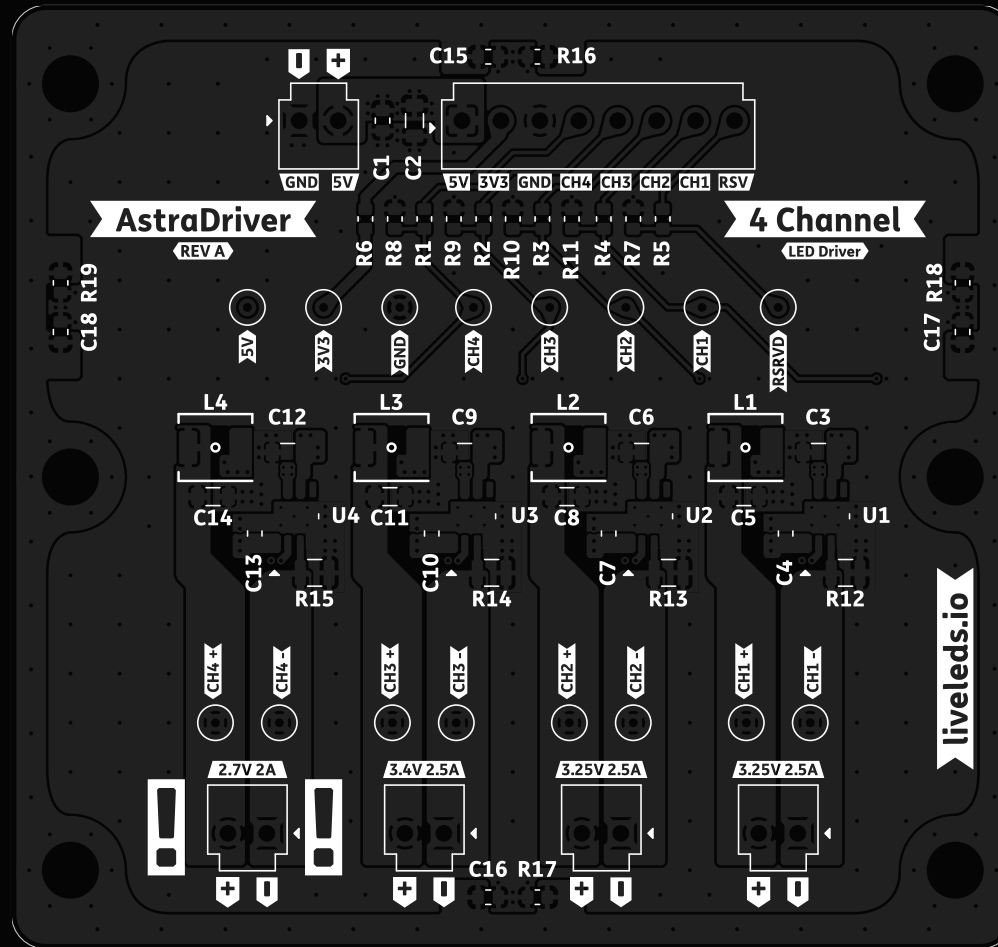
Front Fabrication



R 5.5 mm
 R 2.9 mm
 M5

Board Name	Project Name	Company	Sheet Title & File Name	Date	Revision	Size
AstraDriver	AstraBeam	LiveAstra Technologies	Front Fabrication AstraDriver.kicad_pcb	2024-10-12	A	A4

Front Silkscreen



Board Name
AstraDriver

Project Name
AstraBeam

Company
LiveAstra Technologies

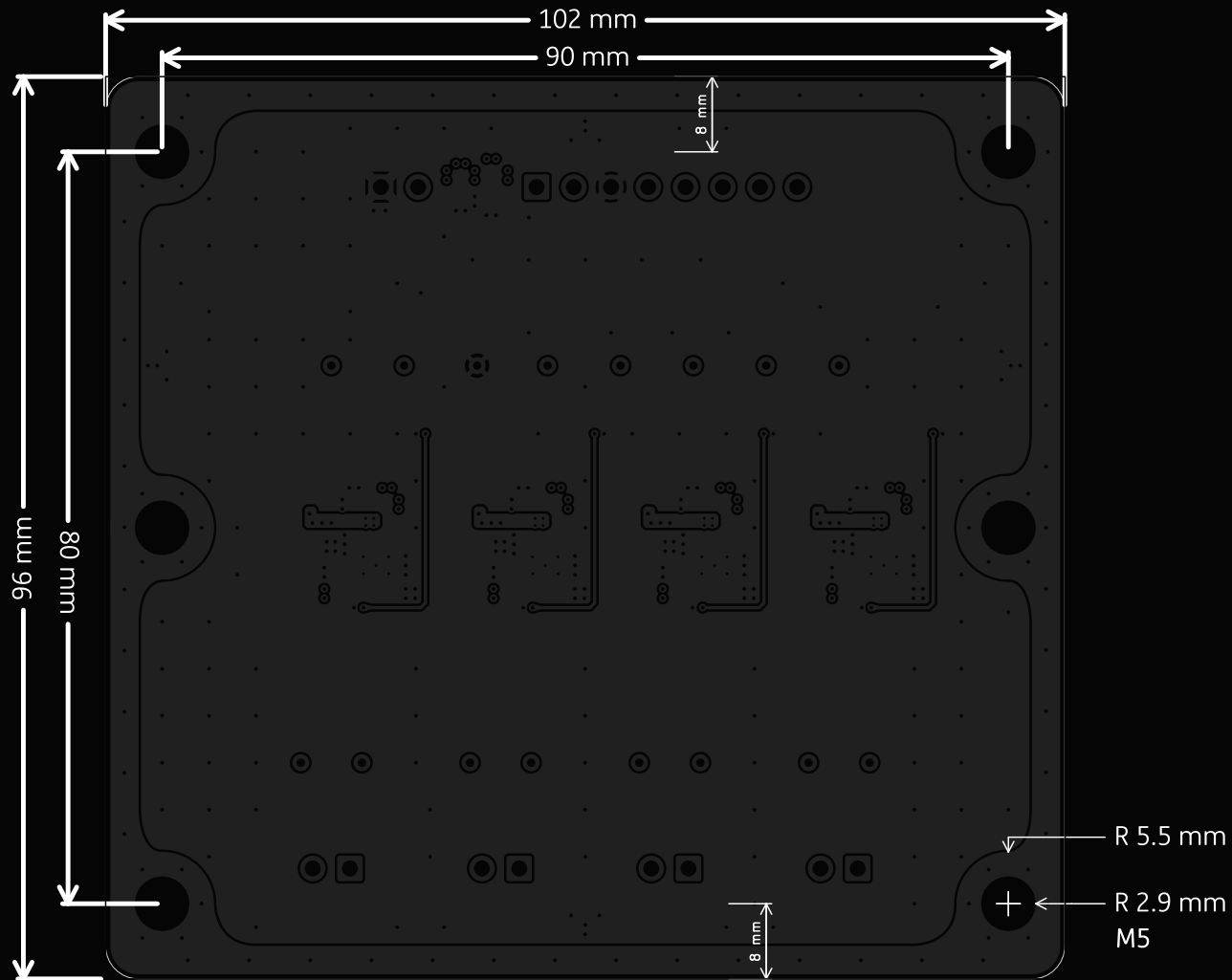
Sheet Title & File Name
Front Silkscreen
AstraDriver.kicad_pcb

Date
2024-10-12

Revision
A

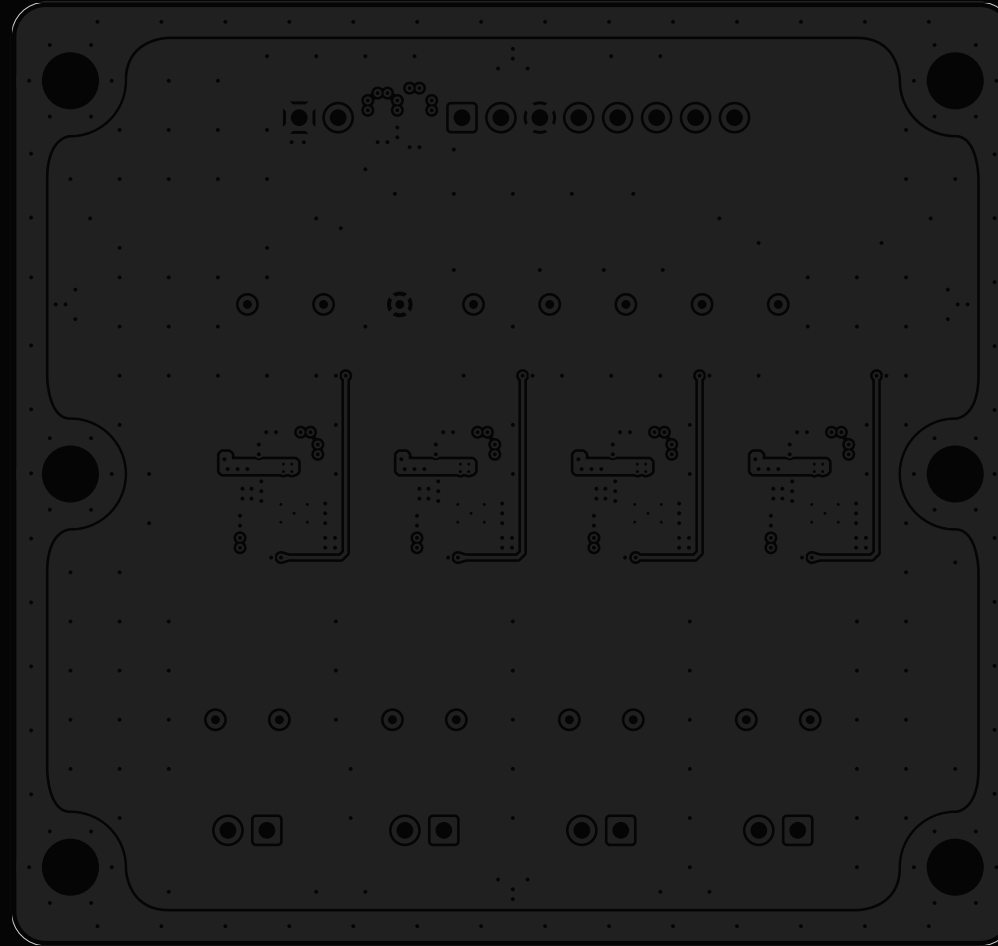
Size
A4

Back Fabrication



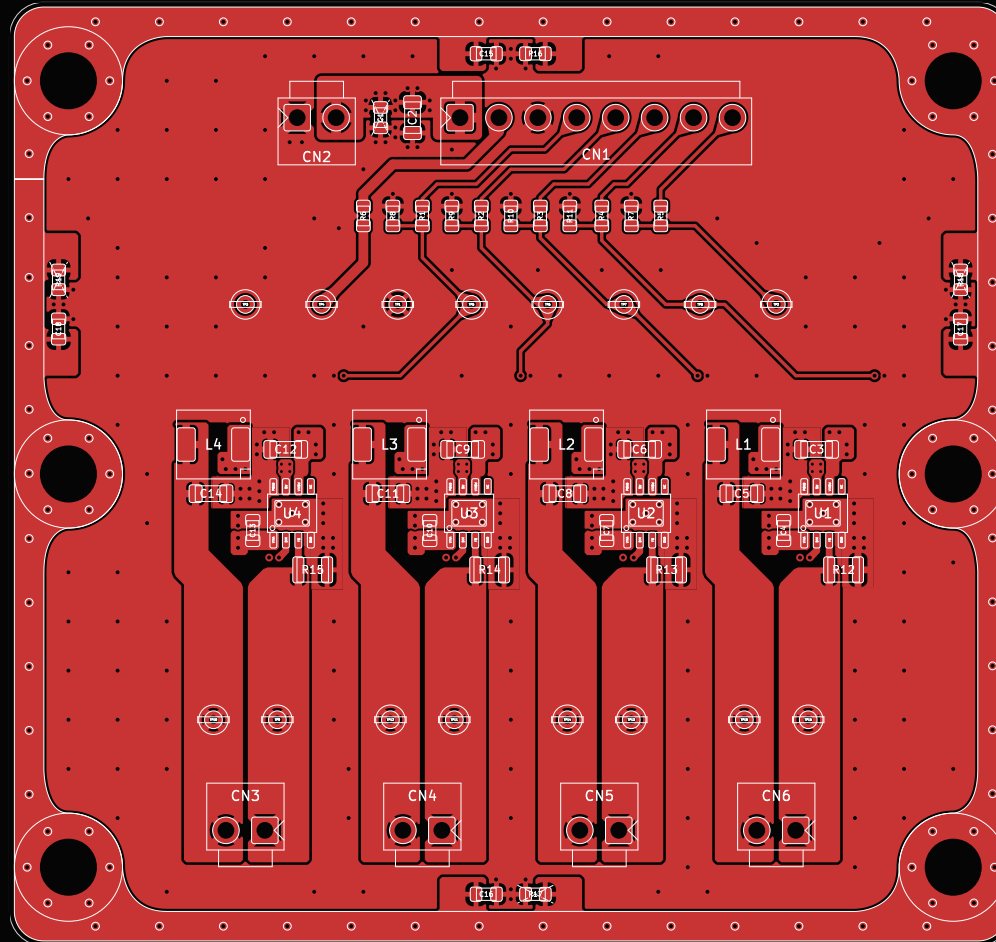
Board Name	Project Name	Company	Sheet Title & File Name	Date	Revision	Size
AstraDriver	AstraBeam	LiveAstra Technologies	Back Fabrication AstraDriver.kicad_pcb	2024-10-12	A	A4

Back Silkscreen



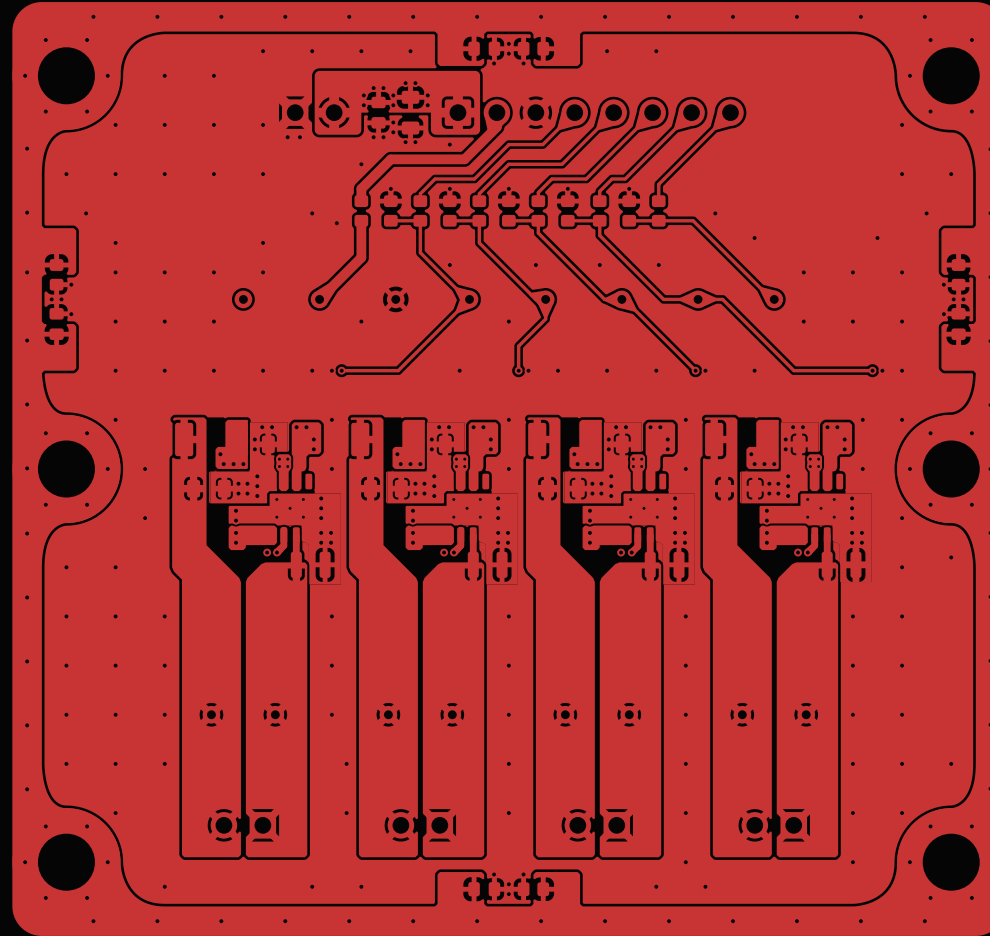
Board Name	Project Name	Company	Sheet Title & File Name	Date	Revision	Size
AstraDriver	AstraBeam	LiveAstra Technologies	Back Silkscreen AstraDriver.kicad_pcb	2024-10-12	A	A4

L1 SIG / GND (FAB)



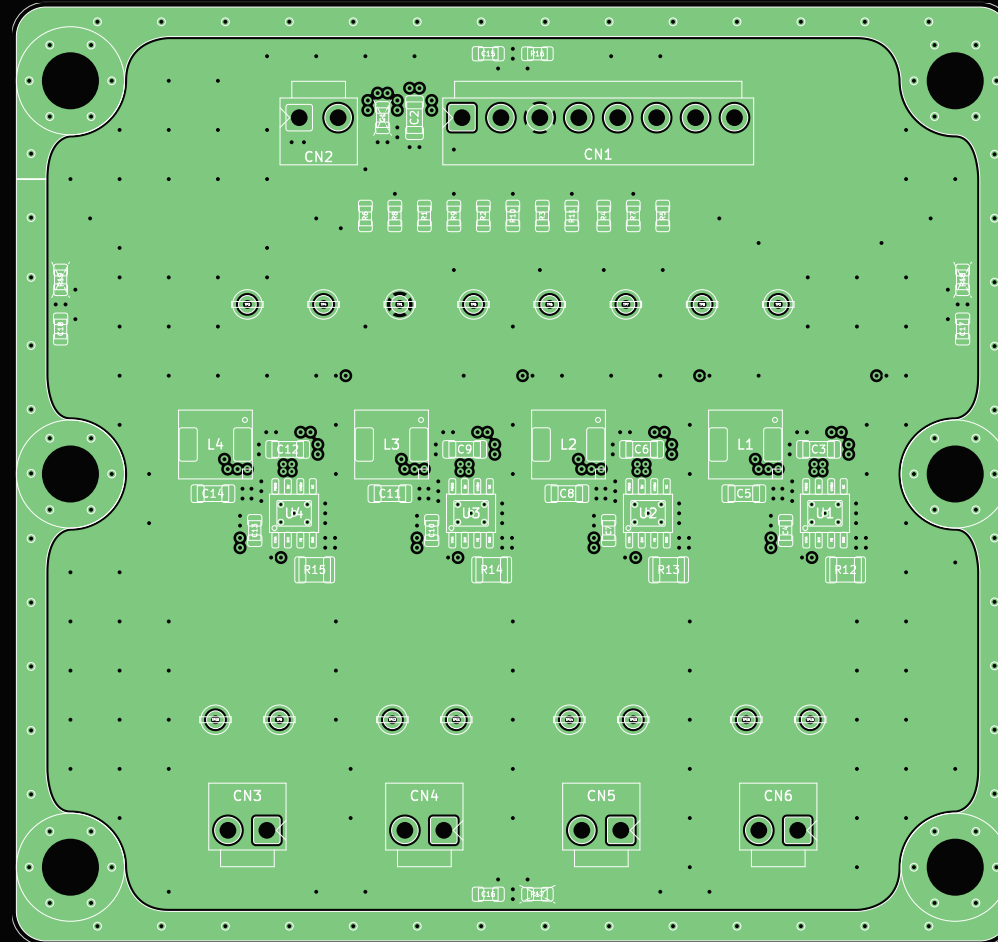
Board Name	Project Name	Company	Sheet Title & File Name	Date	Revision	Size
AstraDriver	AstraBeam	LiveAstra Technologies	L1 SIG / GND (FAB) AstraDriver.kicad_pcb	2024-10-12	A	A4

L1 SIG / GND



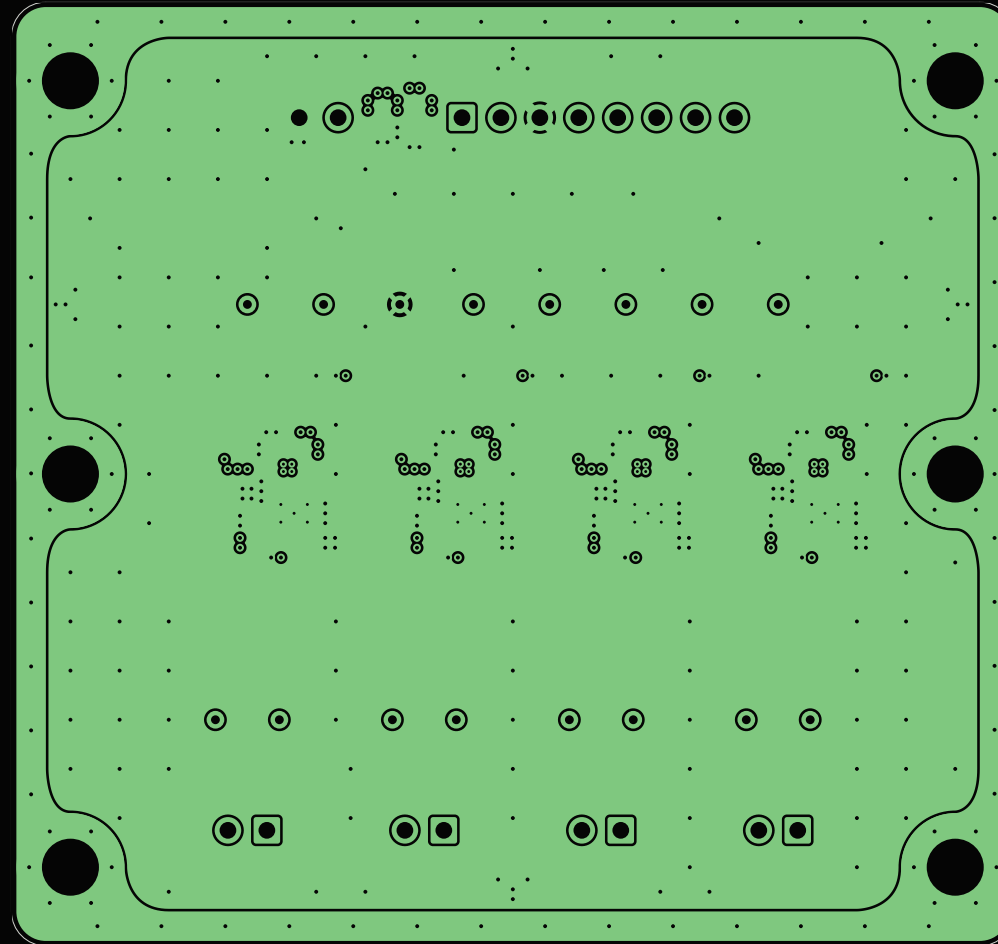
Board Name	Project Name	Company	Sheet Title & File Name	Date	Revision	Size
AstraDriver	AstraBeam	LiveAstra Technologies	L1 SIG / GND AstraDriver.kicad_pcb	2024-10-12	A	A4

L2 GND (Front FAB)



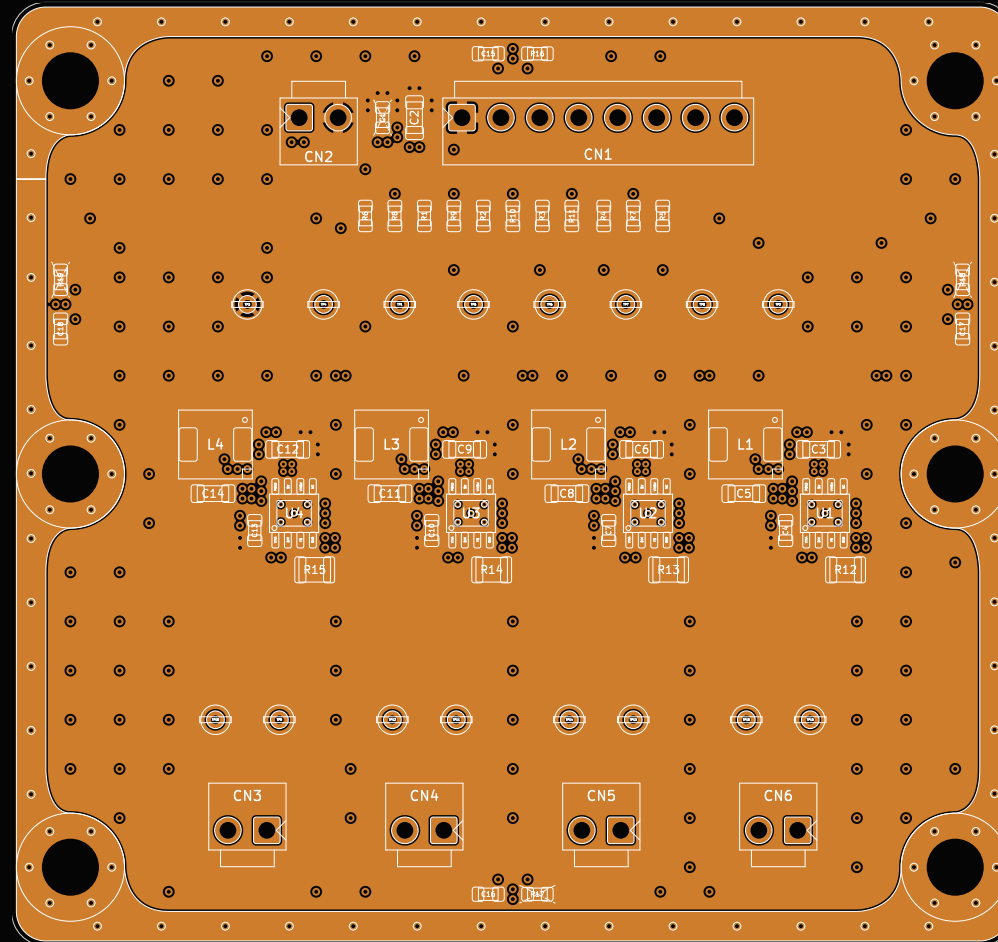
Board Name	Project Name	Company	Sheet Title & File Name	Date	Revision	Size
AstraDriver	AstraBeam	LiveAstra Technologies	L2 GND (Front FAB) AstraDriver.kicad_pcb	2024-10-12	A	A4

L2 GND



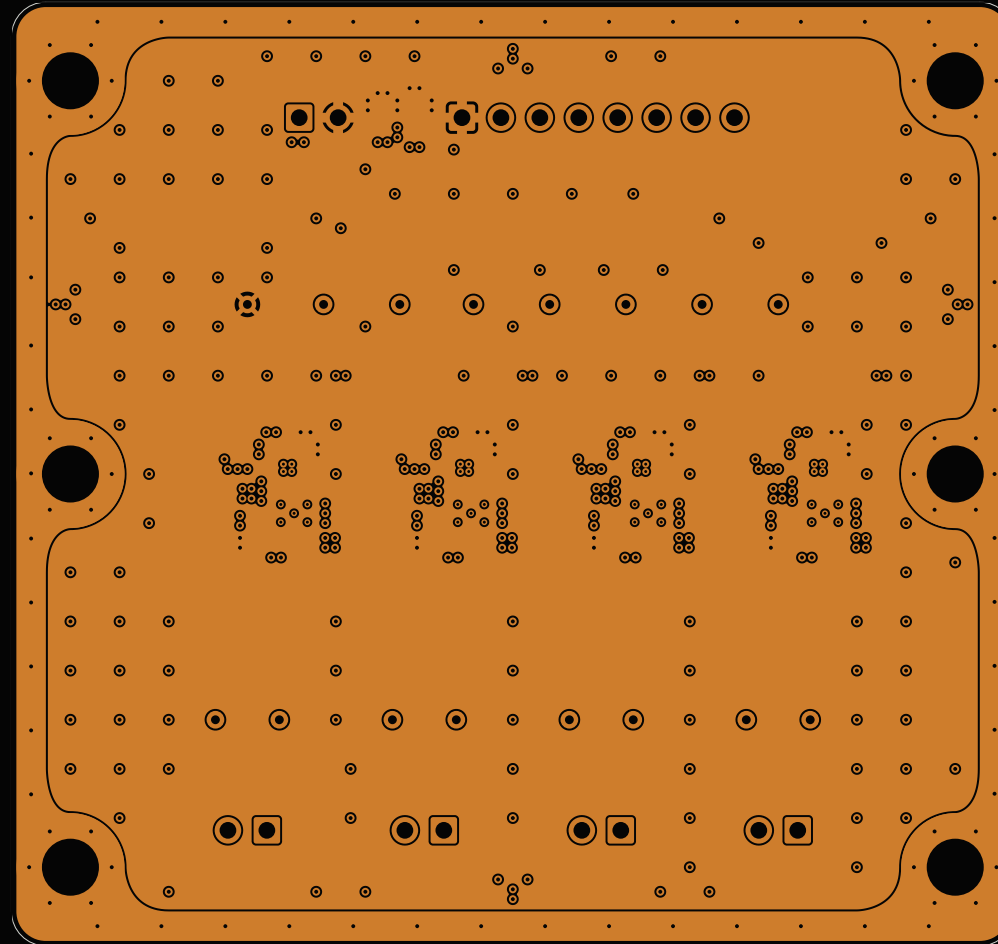
Board Name	Project Name	Company	Sheet Title & File Name	Date	Revision	Size
AstraDriver	AstraBeam	LiveAstra Technologies	L2 GND AstraDriver.kicad_pcb	2024-10-12	A	A4

L3 5V (Front FAB)



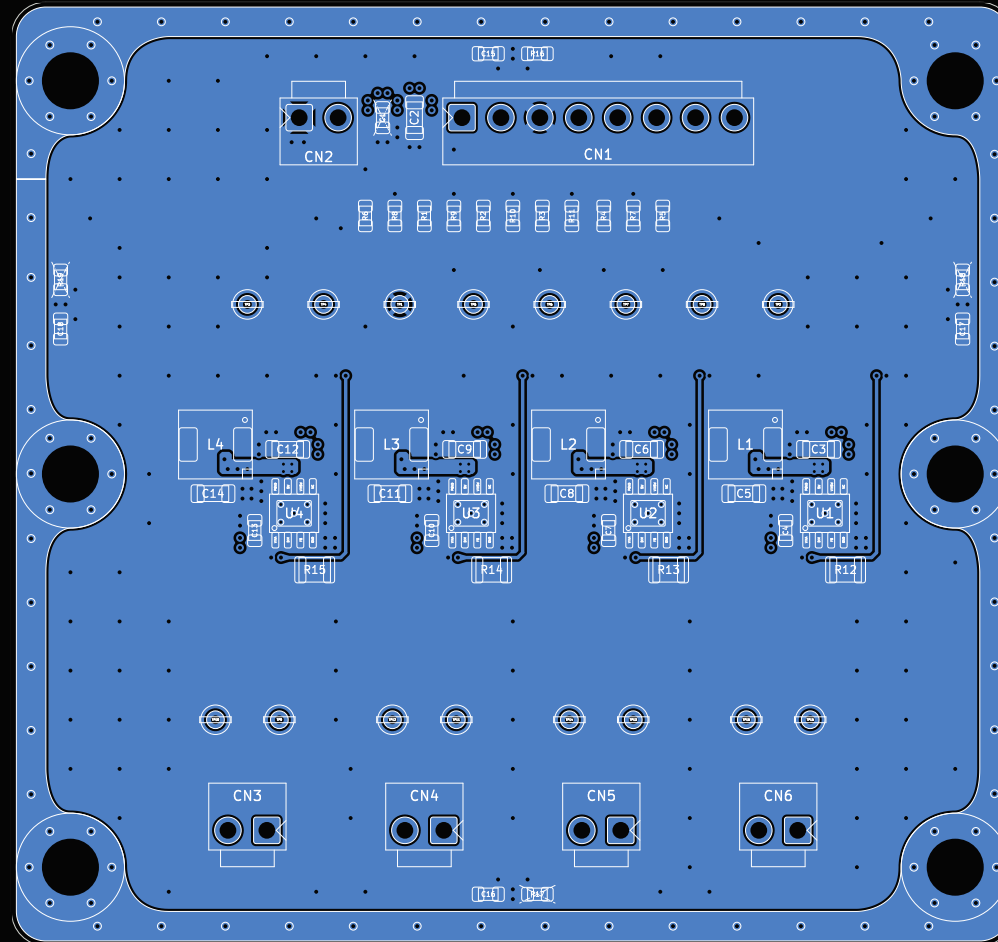
Board Name	Project Name	Company	Sheet Title & File Name	Date	Revision	Size
AstraDriver	AstraBeam	LiveAstra Technologies	L3 5V (Front FAB) AstraDriver.kicad_pcb	2024-10-12	A	A4

L3 5V



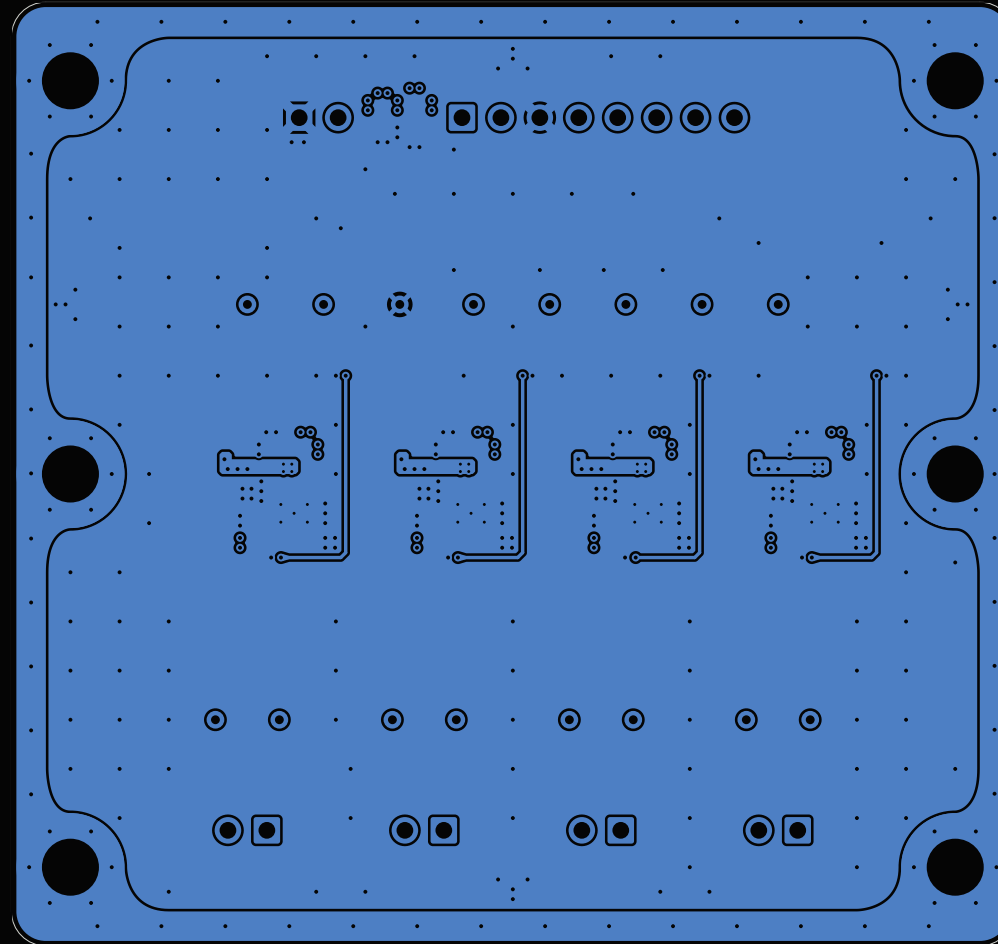
Board Name	Project Name	Company	Sheet Title & File Name	Date	Revision	Size
AstraDriver	AstraBeam	LiveAstra Technologies	L3 5V AstraDriver.kicad_pcb	2024-10-12	A	A4

L4 SIG / GND (Front FAB)



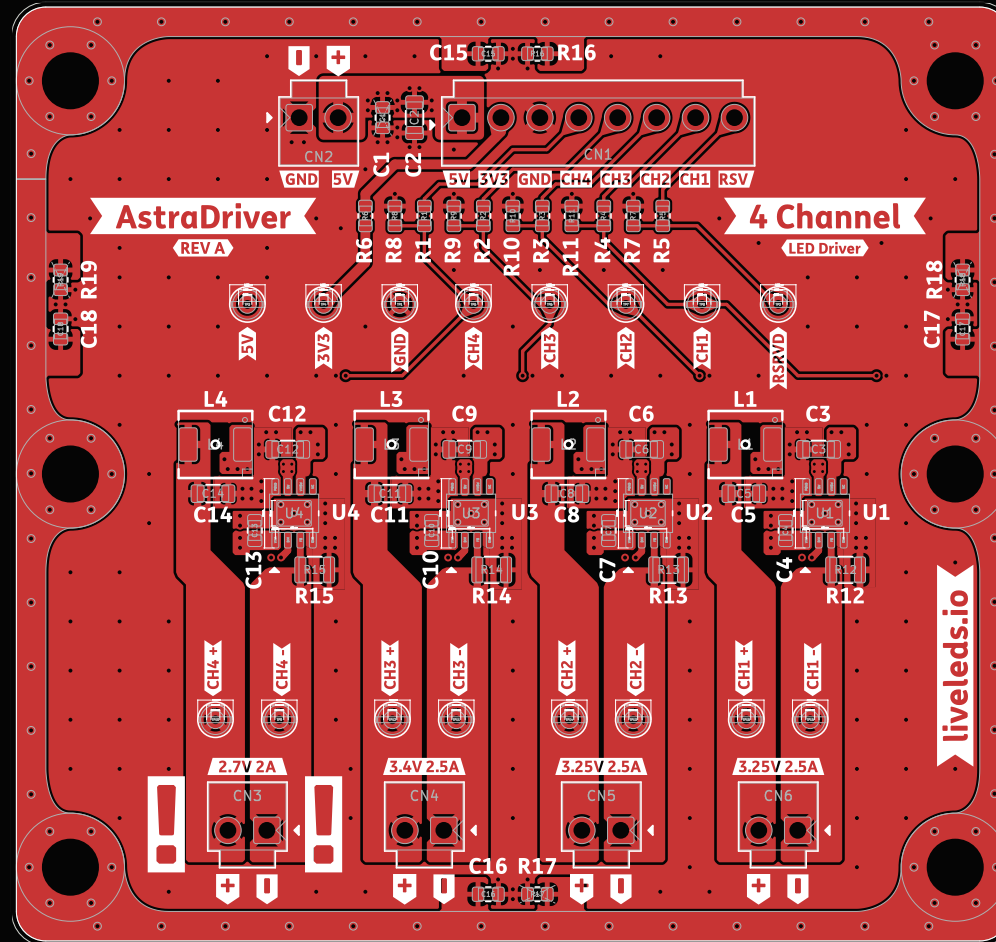
Board Name	Project Name	Company	Sheet Title & File Name	Date	Revision	Size
AstraDriver	AstraBeam	LiveAstra Technologies	L4 SIG / GND (Front FAB) AstraDriver.kicad_pcb	2024-10-12	A	A4

L4 SIG / GND



Board Name	Project Name	Company	Sheet Title & File Name	Date	Revision	Size
AstraDriver	AstraBeam	LiveAstra Technologies	L4 SIG / GND AstraDriver.kicad_pcb	2024-10-12	A	A4

L1 (Component Dimensions)



Board Name	Project Name	Company	Sheet Title & File Name	Date	Revision	Size
AstraDriver	AstraBeam	LiveAstra Technologies	L1 (Component Dimensions) AstraDriver.kicad_pcb	2024-10-12	A	A4