

AstraBeam LED

In review

OSRAM OSTAR® Stage Light PCB
LE RTDUW S2WN

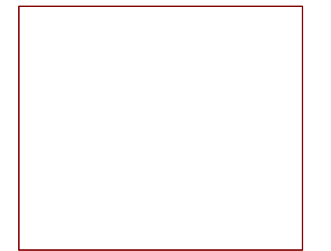
High Power 40W RGBCY LED PCB with direct heatsink copper base.

Features

- [TBD] Special connectors
-
-
-
-
-
-
-
-
-
-
-
-
-
-

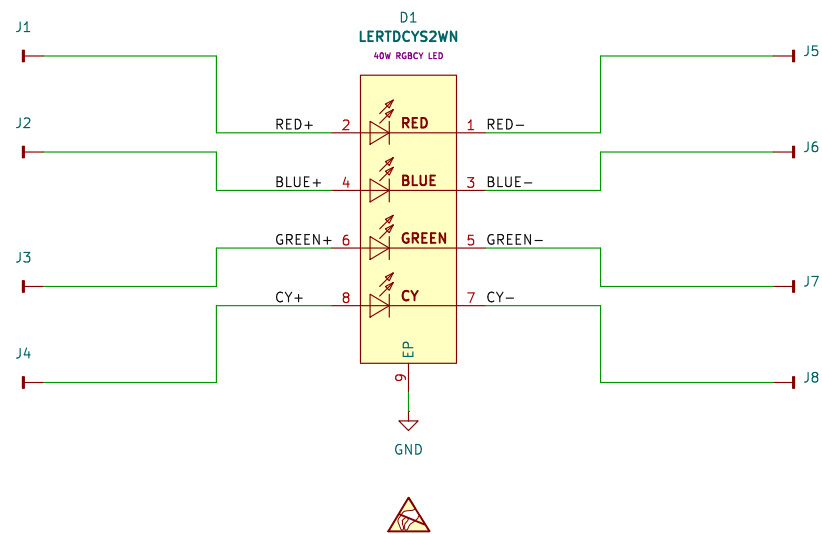


Render for reference only



File: schematic.kicad_sch

Board Name	Project Name	Company	Sheet Title	Sheet Path & File Name	Date	Revision	Size	Sheet
AstraBeamLED	AstraBeam	LiveAstra Technologies	AstraBeamLED - Schematic	/ AstraBeamLED.kicad_sch	2024-11-03	A	A4	1 of 2



Board Name	Project Name	Company	Sheet Title	Sheet Path & File Name	Date	Revision	Size	Sheet
AstraBeamLED	AstraBeam	LiveAstra Technologies	AstraBeam LED	/Schematic/ schematic.kicad_sch	2024-11-03	A	A4	2 of 2